



INSTALLATION, OPERATION & MAINTENANCE
INSTRUCTIONS D'INSTALLATION, D'OPÉRATION ET DE MAINTENANCE
INSTRUCCIONES DE INSTALACIÓN, OPERACIÓN
Y MANTENIMIENTO

1400 Division Road, West Warwick, RI 02893 ▲ T: 401.884.6300 ▲ F: 401.885.2567 ▲ www.amtrol.com

Well-X-Trol® Professional
Pre-pressurized Water System Well Tanks
Réservoirs de puit de système d'eau à pressurisation initiale
Tanques hidroneumáticos prepresurizados para sistemas de agua



WARNING: REVIEW ALL GENERAL SAFETY AND PRODUCT INFORMATION PRIOR TO INSTALLATION.

AVERTISSEMENT : EXAMINER TOUTES LES INFORMATIONS CONCERNANT LA SÉCURITÉ ET LE PRODUIT AVANT SON INSTALLATION.

ADVERTENCIA: ANTES DE INSTALARLO, REPASE LA INFORMACIÓN GENERAL DE SEGURIDAD Y LA INFORMACIÓN ACERCA DEL PRODUCTO.

Your WELL-X-TROL® Professional well tank by AMTROL® has been carefully assembled and factory tested. To enjoy the full service your WELL-X-TROL® well tank can provide, you should read and follow all of the instructions in this manual. When all installation steps have been completed, make sure you also follow the enclosed post-installation and start-up checklists before using your AMTROL product. You should also read carefully the sections describing proper product maintenance, and follow the required procedures as you use your WELL-X-TROL®. **Return this booklet to its original envelope, and keep it with the WELL-X-TROL®.** This manual may become out-of-date by later amendments. Check our web site, www.amtrol.com, or ask your AMTROL supplier for any updates relating to your product. **This product comes with a limited seven (7) year warranty, see AMTROL Limited Warranty for details.**

Our goal is to ensure you are fully satisfied with your new well tank. If any questions or concerns arise, call Technical Service at 401-535-1216.

Ce réservoir de puits WELL-X-TROL® Professional d'Amtrol a été assemblé et testé à l'usine avec soin. Pour utiliser toute la fonctionnalité que peut offrir le réservoir WELL-X-TROL®, veuillez lire et suivre toutes les instructions de ce manuel. Après avoir effectué toutes les étapes de l'installation, il faut s'assurer de suivre aussi les listes ci-jointes de contrôle après installation et de démarrage avant d'utiliser ce produit AMTROL. Lire aussi avec soin les sections décrivant la maintenance appropriée à ce produit et suivre les procédures requises pour l'utilisation du WELL-X-TROL®. Remettre en place ce livret dans sa pochette d'origine et le conserver avec le WELL-X-TROL®. Ce manuel peut être l'objet de révisions ultérieures. Consulter notre site Internet à www.amtrol.com ou demander au fournisseur AMTROL les mises à jour concernant ce produit.

Notre but est d'assurer une entière satisfaction pour ce nouveau WELL-X-TROL®. Pour toute question ou problème, contacter le Service technique au 401-535-1216.

Su tanque hidroneumático WELL-X-TROL® Professional fabricado por AMTROL ha sido cuidadosamente ensamblado y probado en fábrica. Para que pueda disfrutar por completo el servicio que su tanque hidroneumático WELL-X-TROL® le puede proveer, le recomendamos que lea y siga todas las instrucciones de este manual. Cuando complete todos los pasos de instalación, y antes de usar su producto AMTROL, cerciórese de seguir las listas de verificación posinstalación y de puesta en marcha. Asimismo, le recomendamos que lea cuidadosamente las secciones que describen el mantenimiento apropiado del producto y que, al usar su WELL-X-TROL®, siga los procedimientos requeridos. Vuelva a colocar este folleto en su sobre original y téngalo junto a su WELL-X-TROL®. Este manual puede quedar desactualizado por enmiendas posteriores, por lo que le recomendamos que verifique en nuestro sitio de Web, www.amtrol.com, o que le pregunte a su proveedor de productos AMTROL, si hay alguna actualización para su producto.

Nuestra meta es asegurar su completa satisfacción con su nuevo WELL-X-TROL®. Si tiene alguna pregunta o inquietud, llame al Servicio Técnico al 401-535-1216.

THIS IS THE SAFETY ALERT SYMBOL. IT IS USED TO ALERT YOU TO POTENTIAL PERSONAL INJURY AND OTHER HAZARDS. OBEY ALL SAFETY MESSAGES THAT FOLLOW THIS SYMBOL TO REDUCE THE RISK OF POSSIBLE INJURY AS WELL AS PROPERTY DAMAGE.

VOICI LE SYMBOLE D'ALERTE DE SÉCURITÉ. IL EST UTILISÉ POUR SIGNALER LES RISQUES D'ACCIDENT OU AUTRES DANGERS. IL FAUT RESPECTER TOUS LES MESSAGES DE SÉCURITÉ QUI SUIVENT CE SYMBOLE AFIN DE RÉDUIRE LES RISQUES POTENTIELS DE BLESSURE OU DE DOMMAGE MATÉRIEL.



ESTE ES EL SÍMBOLO DE ALERTA DE SEGURIDAD. SE USA PARA ALERTARLE DE POSIBLES LESIONES Y OTROS PELIGROS. PARA REDUCIR EL RIESGO LESIONES, ASÍ COMO DE DAÑOS MATERIALES, OBEDEZCA TODOS LOS MENSAJES DE SEGURIDAD QUE ACOMPAÑAN A ESTE SÍMBOLO.

1. GENERAL SAFETY INFORMATION

⚠ WARNING THIS TANK, LIKE MOST TANKS UNDER PRESSURE, WILL OVER TIME CORRODE OR FAIL AND/OR MAY BURST AND/OR LEAK OR FLOOD (AND IN RARE CASES EXPLODE) WHICH CAN CAUSE SERIOUS OR FATAL PERSONAL INJURY AND PROPERTY DAMAGE. TO MINIMIZE RISK, A LICENSED PROFESSIONAL MUST INSTALL AND PERIODICALLY INSPECT AND SERVICE THE UNIT. A DRIP PAN, CONNECTED TO AN ADEQUATE DRAIN MUST BE INSTALLED IF LEAKING OR FLOODING CAN CAUSE PROPERTY DAMAGE.

⚠ WARNING READ CAREFULLY THE PRODUCT INSTALLATION, OPERATING AND MAINTENANCE MANUAL. FAILURE TO FOLLOW THE INSTRUCTIONS AND WARNINGS IN THE MANUAL MAY RESULT IN SERIOUS OR FATAL INJURY AND/OR PROPERTY DAMAGE, AND WILL VOID THE PRODUCT WARRANTY. THIS PRODUCT MUST BE INSTALLED BY A QUALIFIED PROFESSIONAL. FOLLOW ALL APPLICABLE LOCAL AND STATE CODES AND REGULATIONS, IN THE ABSENCE OF SUCH CODES, FOLLOW THE CURRENT EDITIONS OF THE NATIONAL PLUMBING CODE AND NATIONAL ELECTRIC CODE, AS APPLICABLE.

⚠ CAUTION AS IN ALL PLUMBING PRODUCTS AND WATER STORAGE VESSELS, BACTERIA CAN GROW IN YOUR WELL-X-TROL®, ESPECIALLY DURING TIMES OF NON-USE. CONSULT YOUR LOCAL PLUMBING OFFICIAL REGARDING ANY STEPS YOU MAY WISH TO TAKE TO SAFELY DISINFECT YOUR HOME'S PLUMBING SYSTEM.

⚠ WARNING FOLLOW ALL OF THE INSTRUCTIONS AND RECOMMENDATIONS CONTAINED IN THIS MANUAL, AND THE FOLLOWING ADDITIONAL SPECIFIC WARNINGS. FAILURE TO DO SO IS UNSAFE AND CAN CAUSE SERIOUS EXPLOSION, SERIOUS OR FATAL PERSONAL INJURY AND PROPERTY DAMAGE.

⚠ WARNING EXPLOSION OR RUPTURE HAZARD. THE WELL-X-TROL MUST BE OPERATED SO THAT THE MAXIMUM SYSTEM PRESSURE DOES NOT EXCEED 150 PSI OR LOCAL CODE REQUIREMENTS WHICHEVER IS LESS.

⚠ WARNING A RELIEF VALVE WITH A MAXIMUM RELIEF PRESSURE OF 125 PSI MUST BE INSTALLED IN THE SYSTEM. THE RELIEF VALVE MUST BE CAPABLE OF DISCHARGING THE RATED CAPACITY OF THE PUMP AT THE MAXIMUM SYSTEM PRESSURE.

⚠ WARNING FAILURE TO UTILIZE A PROPERLY SIZED WELL-X-TROL (BASED ON THE FOLLOWING SIZING INSTRUCTIONS) WILL RESULT IN EXCESSIVE STRAIN ON THE PUMP AND MAY ULTIMATELY LEAD TO PRODUCT FAILURE, LEAKING OR FLOODING AND PROPERTY DAMAGE.

⚠ WARNING DANGER! EXPLOSION HAZARD. IF YOU ADJUST THE PRE-CHARGE PRESSURE OR ADD PRESSURE TO A TANK THAT IS CORRODED OR DAMAGED OR WITH DIMINISHED INTEGRITY THE TANK CAN BURST OR EXPLODE, POSSIBLY CAUSING SERIOUS OR FATAL PERSONAL INJURY AND/OR PROPERTY DAMAGE.

- ONLY ADJUST THE PRE-CHARGE AS DESCRIBED IN THIS MANUAL WHEN THE TANK IS NEW OR WHEN THE INTEGRITY OF THE TANK AND LACK OF INTERNAL OR EXTERNAL CORROSION IS CONFIRMED.
- ONLY QUALIFIED PROFESSIONALS SHOULD CHECK, ADJUST OR RE-CHARGE THE PRE-CHARGE OF TANKS.

⚠ WARNING DANGER! EXPLOSION HAZARD. WHEN THE WELL-X-TROL HAS BEEN IN SERVICE AND A CHANGE TO A HIGHER PRE-CHARGE PRESSURE IS NECESSARY DUE TO A REQUIRED CHANGE IN THE PRESSURE SWITCH SETTING, FAILURE TO FOLLOW INSTRUCTIONS BELOW CAN CAUSE A RUPTURE OR EXPLOSION, POSSIBLY CAUSING SERIOUS OR FATAL PERSONAL INJURY, AND/OR PROPERTY DAMAGE. DO NOT ADJUST OR ADD PRESSURE IF THERE HAS BEEN A LOSS OF AIR. DO NOT ADJUST THE PRE-CHARGE PRESSURE IF THERE IS VISIBLE EXTERIOR CORROSION. DO NOT ADJUST THE PRE-CHARGE PRESSURE IF THERE HAS BEEN A REDUCTION OF THE PUMP CYCLE TIME OR THE PRE-CHARGE PRESSURE COMPARED TO ITS INITIAL SETTING. THIS IS BECAUSE REDUCTION IN PUMP CYCLE TIME CAN RESULT FROM LOSS OF TANK AIR PRESSURE WHICH IN TURN CAN MEAN THERE MAY BE INTERNAL CORROSION AND ANY RE-PRESSURIZATION OR ADDITIONAL PRESSURE COULD RESULT IN RUPTURE OR EXPLOSION.

⚠ WARNING CHLORINE & AGGRESSIVE WATER: THE WATER QUALITY CAN SIGNIFICANTLY INFLUENCE THE LIFE OF THIS PRODUCT. YOU SHOULD TEST FOR CORROSIVE ELEMENTS, ACIDITY, TOTAL SOLIDS AND OTHER RELEVANT CONTAMINANTS, INCLUDING CHLORINE AND TREAT YOUR WATER APPROPRIATELY TO INSURE SATISFACTORY PERFORMANCE AND PREVENT PREMATURE FAILURE. FOR YOUR SAFETY, THE INFORMATION IN THIS MANUAL MUST BE FOLLOWED TO MINIMIZE THE RISK OF ELECTRIC SHOCK, PROPERTY DAMAGE OR PERSONAL INJURY. PROPERLY GROUND TO CONFORM WITH ALL GOVERNING CODES AND ORDINANCES.

⚠ WARNING INSTALL OR STORE WHERE TANK WILL NOT BE EXPOSED TO TEMPERATURES BELOW FREEZING OR ABOVE 100°F. WATER FREEZING IN THE SYSTEM WILL BREAK IT. DO NOT ATTEMPT TO TREAT WATER OVER 100°F.

⚠ WARNING USE ONLY LEAD-FREE SOLDER AND FLUX FOR ALL SWEAT-SOLDER CONNECTIONS, AS REQUIRED BY STATE AND FEDERAL CODES.

NOTE: INSPECT FOR SHIPPING DAMAGE AND NOTIFY FREIGHT CARRIER OR STORE WHERE PURCHASED IMMEDIATELY IF DAMAGE IS PRESENT. TO AVOID RISK OF PERSONAL INJURY AND PROPERTY DAMAGE, IF THE PRODUCT APPEARS TO BE MALFUNCTIONING OR SHOWS SIGNS OF CORROSION, CALL A QUALIFIED PROFESSIONAL IMMEDIATELY. CURRENT COPIES OF THE PRODUCT MANUAL CAN BE VIEWED AT WWW.AMTROL.COM. USE PROPER SAFETY EQUIPMENT WHEN INSTALLING.

FAILURE TO FOLLOW THE ABOVE WARNINGS MAY RESULT IN SERIOUS OR FATAL PERSONAL INJURY OR DEATH AND/OR PERSONAL PROPERTY DAMAGE, AND WILL VOID THE WARRANTY.

2. AMTROL INC. LIMITED PRODUCT WARRANTY

Products covered: all Products manufactured by AMTROL Inc. ("AMTROL").

This warranty cannot be transferred – it is extended only to the original Purchaser or First User of the Product. By accepting and keeping this Product you agree to all of the warranty terms and limitations of liability described below.

IMPORTANT WARNING – READ CAREFULLY THE INSTALLATION, OPERATING AND MAINTENANCE INSTRUCTIONS MANUAL ("MANUAL") to avoid serious personal injury and/or property damage and to ensure safe use and proper care of this product.

Who Receives AMTROL's Product Warranty

All purchasers or first users of the new Product. The Warranty is non-transferable.

What is covered by this Warranty

AMTROL warrants to the purchaser or first user of the new Product that at the time of manufacture, the Product is free from defects in material and workmanship. Any warranty claim must be made within one (1) year unless another time period is set forth in the Manual, measured from the time the Product was purchased.

What AMTROL Will Do If You Have a Covered Warranty Claim

In the event of a breach of the foregoing warranty, AMTROL will at its option either make repairs to correct any defect in material or workmanship or supply and ship either new or used replacement parts or products. AMTROL will not accept any claims for labor or other costs.

What This Warranty Does Not Cover — Exclusions and Limitations

This Warranty does not cover any failure or problem unless it was caused by a defect in material or workmanship. In addition, this Warranty shall not apply:

- if the Product is not correctly installed, operated, repaired or maintained as described in the Manual provided with the Product;
- to any failure or malfunction resulting from abuse (including freezing); improper or negligent: handling, shipping (by anyone other than AMTROL), storage, use, operation, accident; or alteration, lightning, flood or any other environmental condition;
- to any failure or problem resulting from the use of the Product for any purpose other than those specified in the accompanying Manual or alteration of any part of the product;
- if the Product is used anywhere except the United States, its territories or possessions, or Canada;
- this Warranty does not cover labor costs, shipping charges, service charges, delivery expenses, administrative fees or any costs incurred in removing or reinstalling the Product;
- this Warranty does not cover any claims submitted to AMTROL or an AMTROL-authorized distributor or retailer more than 30 days after expiration of the applicable warranty time period described in this Warranty;
- this Warranty also does not cover repair or replacement costs not authorized in advance by AMTROL.

Additional Warranty Limitations

ALL IMPLIED WARRANTIES, INCLUDING THE IMPLIED WARRANTIES OF MERCHANTABILITY AND FITNESS FOR A PARTICULAR PURPOSE ARE SPECIFICALLY DISCLAIMED.

Limitations of Remedies

THE REMEDIES CONTAINED IN THIS WARRANTY ARE THE PURCHASER'S OR FIRST USER'S EXCLUSIVE REMEDIES. IN NO CIRCUMSTANCES WILL AMTROL BE LIABLE FOR MORE THAN, AND PURCHASER-FIRST USER'S REMEDIES SHALL NOT EXCEED, THE PRICE PAID FOR THE PRODUCT. IN NO CASE SHALL AMTROL BE LIABLE FOR ANY SPECIAL, INDIRECT, INCIDENTAL OR CONSEQUENTIAL DAMAGES, WHETHER RESULTING FROM NONDELIVERY OR FROM THE USE, MISUSE, OR INABILITY TO USE THE PRODUCT OR FROM DEFECTS IN THE PRODUCT OR FROM AMTROL'S OWN NEGLIGENCE OR OTHER TORT. This exclusion applies regardless of whether such damages are sought for breach of warranty, breach of contract, negligence, strict liability, in tort or under any other legal theory. Such damages include, but are not limited to, inconvenience, loss or damage to property, mold, loss of profits, loss of savings or revenue, loss of use of the Products or any associated equipment, facilities, buildings or services, downtime, and the claims of third parties including customers.

What To Do If You Have a Problem Covered By This Warranty

Any covered Warranty service must be authorized by AMTROL. Contact the person from whom you purchased the Product, who must receive authorization from an AMTROL distributor or AMTROL. If you do not receive a prompt response, call AMTROL directly at 877-517-9673. Notice of a Warranty claim should be submitted by the authorized distributor to AMTROL at the following address:

AMTROL Inc.
Warranty Claim Dept.
1400 Division Rd.
West Warwick, RI 02893

Before AMTROL determines to provide any replacement part or Product, it may as a pre-condition to making such a determination require that the warranty claimant ship the Product, postage prepaid to an authorized AMTROL distributor, or to AMTROL and provide proof of purchase evidenced by the original sales receipt or Product registration.

Replacement Product Warranty

In case of replacement of a Product or any component part, AMTROL reserves the right to make changes in the design, construction, or material of the substitute components or products, which shall be subject to all of the terms and limitations of this Warranty, except that the applicable warranty periods shall be reduced by the amount of time the warranty claimant owned the product prior to submitting notification of the warranty claim.

3. PRE-INSTALLATION CHECKLIST

IMPORTANT STEPS AND DECISIONS REQUIRED BEFORE INSTALLATION

THIS PRODUCT MUST BE INSTALLED AND MAINTAINED BY A LICENSED PROFESSIONAL. IN ADDITION TO THE INSTRUCTIONS IN THIS MANUAL, FOLLOW ALL APPLICABLE LOCAL AND STATE CODES OR IN THE ABSENCE OF SUCH CODES, THE CURRENT EDITIONS OF THE NATIONAL PLUMBING CODE AND THE NATIONAL ELECTRIC CODE.

DRIP PAN AND DRAIN: To avoid leaking and/or property damage, install with a drip pan connected to an adequate working drain kept clear at all times.



MAXIMUM WORKING PRESSURES

Every WELL-X-TROL is air tested to 150 psig, the maximum working pressure for the WELL-X-TROL line.

Should pressures exceed 150 psig, proper selection and sizing of an A.S.M.E. constructed WELL-X-TROL should be made.



RELIEF VALVE REQUIRED

A relief valve should be installed which is set to open at excessive pressures (125 psig). This will protect the WELL-X-TROL and other system components should the pressure switch malfunction and fail to shut the pump off. The relief valve should be installed at the connection of the WELL-X-TROL to the system piping and have a discharge equal to the pump's capacity at 125 psig.

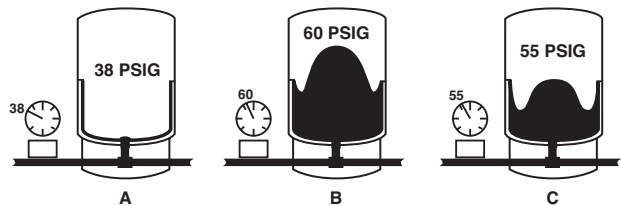
4. HOW YOUR WELL-X-TROL WORKS

OPERATING CHARACTERISTICS

The WELL-X-TROL principle employs a mechanical sealed-in heavy duty diaphragm to allow an air cushion to be pre-pressurized before leaving the factory.

Water is contained in a separate molded rigid polypropylene liner that is supported by the outside steel shell and covered by a diaphragm. This provides a completely non-corrosive water reservoir, eliminating any contact of system water with ferrous metal. The WELL-X-TROL is shipped with its total volume filled with air pressured to a standard precharge. As water enters the WELL-X-TROL, the diaphragm is flexed, compressing the air cushion, reducing its volume by the same volume of water that enters. As the volume of air decreases, the pressure in the WELL-X-TROL increases, so that it always equals the pressure exerted by the water. Since air pressure and water pressure are always equal, the diaphragm is never under any strain. It merely flexes or floats between the water and air. When properly sized, the air cushion in the WELL-X-TROL will be of sufficient volume at minimum pressure (pump cut-in) to allow a desired volume of water to enter the WELL-X-TROL with the subsequent pressure increase within the specified operating pressure range as set by the pressure switch.

NOTE: This is an example. Not all precharge pressure is 38 psi.
Not all system pressures shut pump off at 60 psi



- A. Factory installed precharged air cushion. Pump off.
- B. When pump starts, water enters the reservoir. At 60 psig, system is filled. Pump shuts off.
- C. When water is demanded, pressure in the air chamber forces water into the system. Pump stays off.

5. INSTALLATION INSTRUCTIONS

System Connection

In-line Models WX-101, 102, 103, 105 and 200

In-line models WX-101, 102, 103 are conventionally installed directly in the main water supply line with a 3/4" connection. For model WX-200, a 1" fitting is used.

Vertical Stand Models WX-201 through WX-350

Vertical stand models WX-201 through WX-302 are equipped with an elbow system connection. The WX-201, WX-202, WX-202XL and the WX-203 have a 1" elbow. The WX-205, WX-250, WX-251, WX-255, WX-252, WX-302 and WX-350 have a 1 1/4" elbow.

Location

Proper WELL-X-TROL Location

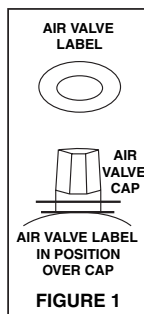
The WELL-X-TROL should be installed as close as possible to the pressure switch. This will reduce the adverse effects of added friction loss and pressure switch bouncing, and the difference in elevation between WELL-X-TROL and switch.

⚠ WARNING DANGER! EXPLOSION HAZARD. WHEN THE WELL-X-TROL HAS BEEN IN SERVICE AND A CHANGE TO A HIGHER PRE-CHARGE PRESSURE IS NECESSARY DUE TO A REQUIRED CHANGE IN THE PRESSURE SWITCH SETTING, FAILURE TO FOLLOW INSTRUCTIONS BELOW CAN CAUSE A RUPTURE OR EXPLOSION, POSSIBLY CAUSING SERIOUS OR FATAL PERSONAL INJURY, AND/OR PROPERTY DAMAGE.

- DO NOT ADJUST OR ADD PRESSURE IF THERE HAS BEEN A LOSS OF AIR.
- DO NOT ADJUST THE PRE-CHARGE PRESSURE IF THERE IS VISIBLE EXTERIOR CORROSION.
- DO NOT ADJUST THE PRE-CHARGE PRESSURE IF THERE HAS BEEN A REDUCTION OF THE PUMP CYCLE TIME OR THE PRE-CHARGE PRESSURE COMPARED TO ITS INITIAL SETTING. THIS IS BECAUSE REDUCTION IN PUMP CYCLE TIME CAN RESULT FROM LOSS OF TANK AIR PRESSURE WHICH IN TURN CAN MEAN THERE MAY BE INTERNAL CORROSION AND ANY RE-PRESSURIZATION OR ADDITIONAL PRESSURE COULD RESULT IN RUPTURE OR EXPLOSION.

Adjusting Precharge Prior to Installation

- Step 1.** Remove protective air valve cap
- Step 2.** Check precharge pressure (pressure should be + or - 10% of the factory setting)
- Step 3.** Release or add air as necessary to make the precharge pressure 2 psig below the pressure switch pump cut-in setting. (Example, if you have a WX-202XL with a precharge of 38 psig, and you have a pressure switch setting of 30/50 psig, adjust precharge of your WX-202XL from 38 psig to 28 psig.)
- Step 4.** Replace protective air valve cap. Peel off backing of label and apply over air valve cap.



⚠ WARNING Explosion Hazard. Failure to follow these instructions can cause a rupture or explosion possibly causing serious or fatal injury, flooding, and / or property damage.

System Connection

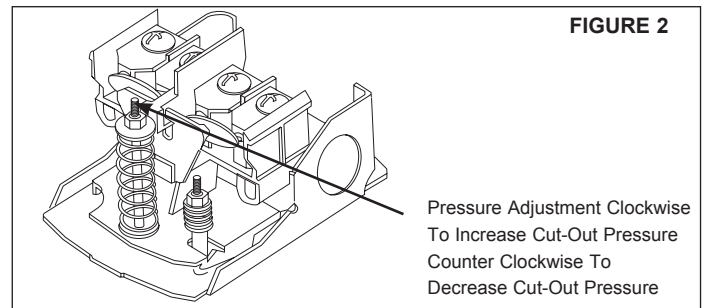
1. Locate the WELL-X-TROL in the final desired location.
2. Level as necessary.
3. To eliminate friction loss, do not reduce the pipe size from the pump to the WELL-X-TROL.

Start Up

Fine Tuning Procedures

Many times the actual pressure switch will vary from the standard pressure range indicated. These variations could cause a momentary lag of water delivery, as the pressure switch is not "tuned to the WELL-X-TROL precharge pressure".

1. Fill the system and WELL-X-TROL until pump cuts off.
2. Open one or more fixtures to drain the WELL-X-TROL.
3. If there is a momentary pause in the water flow from the time the WELL-X-TROL is emptied and the pump starts, adjust pump cut-in setting clockwise slightly (see figure 2).
4. Close fixtures and refill WELL-X-TROL to pump cut off. Check time to fill.
5. Open fixtures and see if pause in water is eliminated. If not, continue adjusting pressure switch.



Adjusting Precharge After Installation

Step 1. Drain tank of all water. Check precharge pressure in the WELL-X-TROL Tank.

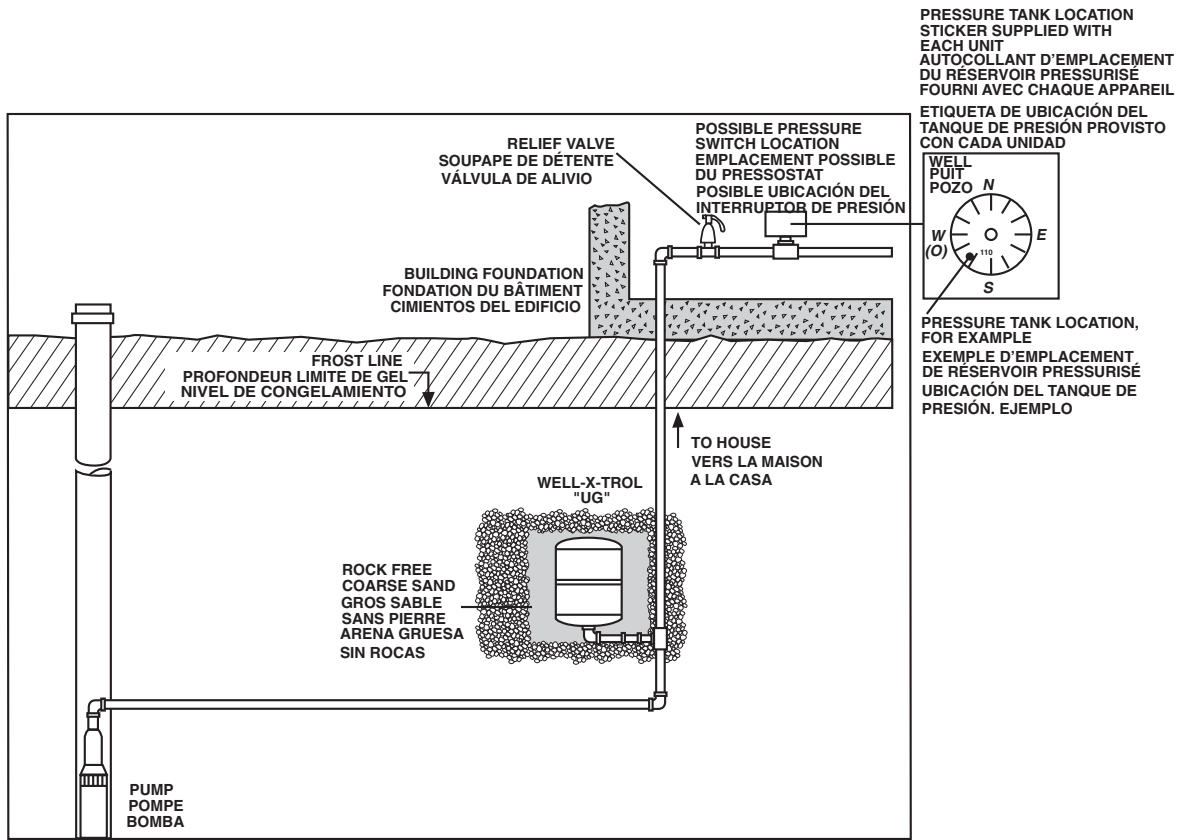
Step 2. Release or add air as necessary to make the recharge pressure 2 psig below the pressure switch pump cut-in setting.

All WELL-X-TROL "Underground Tanks" are designed for direct burial and must be installed in the vertical position **only**. To eliminate danger of freezing, tank should be buried below the frost line.

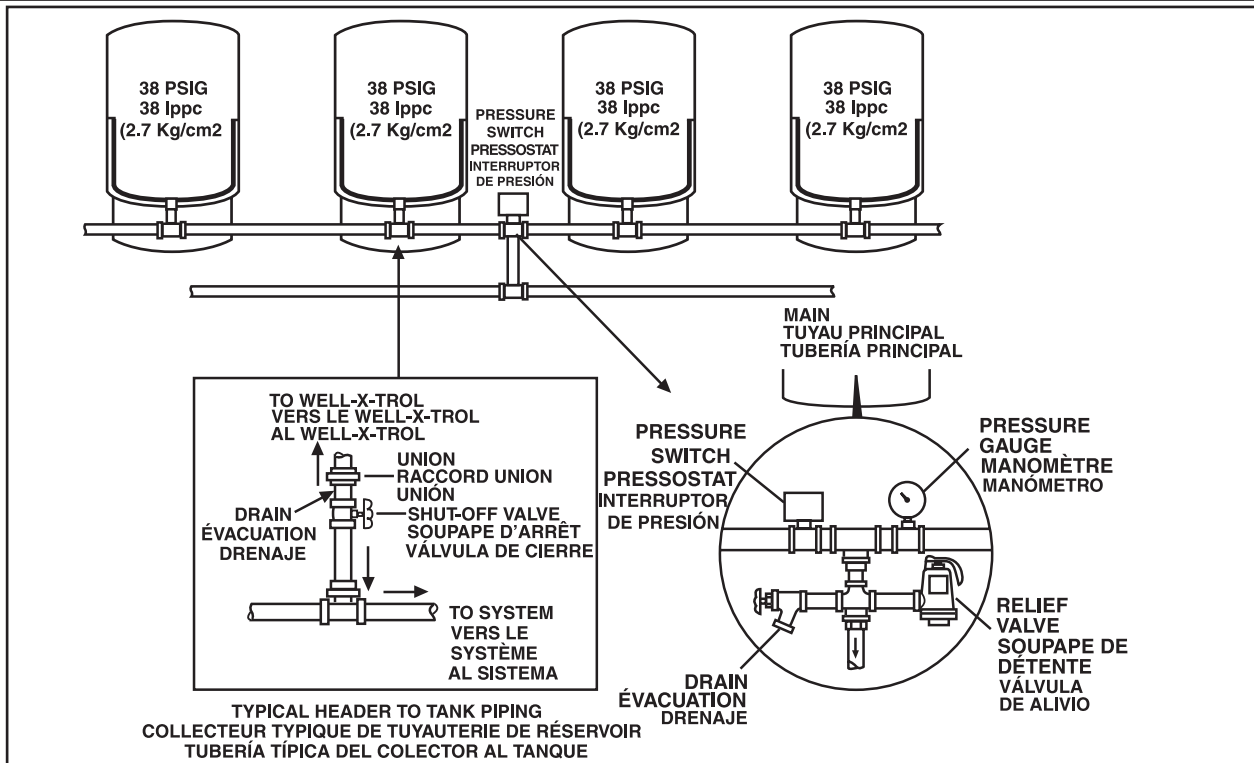
The following steps should be taken when installing a WELL-X-TROL "Underground Tanks":

1. Make sure that the tank will be buried below the frost line and above the water table.
2. Remove plastic bag and check tank precharge. Factory precharge is 38 psig. Replace air stem cap securely. Follow adjusting precharge procedure.
3. Important: Install tank on firm **rock-free earth**.
4. The Water lines from the pump to the tank and switch location should be the same size to prevent switch cycling.
5. Check the system for performance and inspect for leaks.
6. Important: Backfill hole with sand. Firmly tamp fill to prevent settling. Failure to do so will shorten tank life.
7. Fill out pressure tank location sticker and affix to power panel or other visible surface so tank can be easily located at a later time

6. UNDERGROUND INSTALLATION INSTALLATION SOUTERRAINE INSTALACIÓN BAJO TIERRA

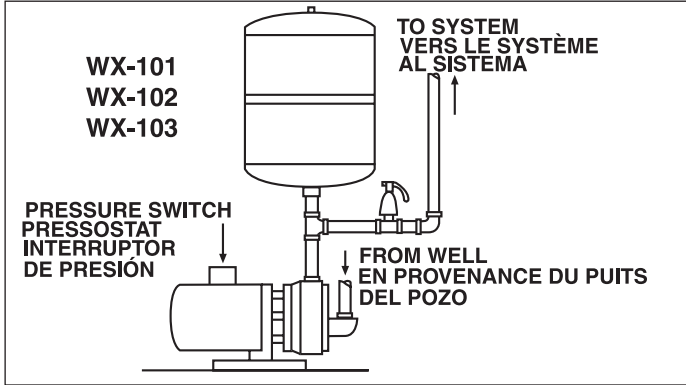


7. MANIFOLD INSTALLATIONS INSTALLATIONS À RAMPE DE DISTRIBUTION INSTALACIÓN DE COLECTORES

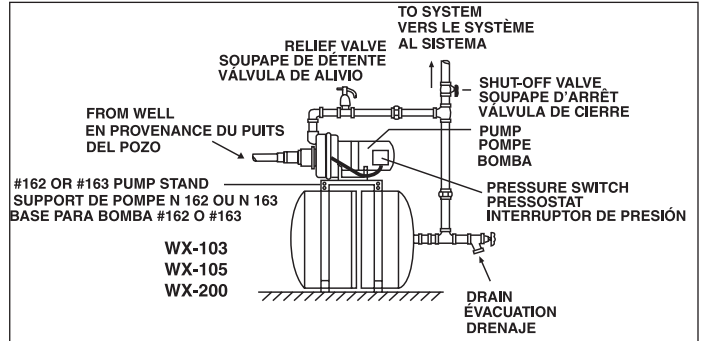


8. RECOMMENDED INSTALLATIONS INSTALLATIONS RECOMMANDÉES INSTALACIONES RECOMENDADAS

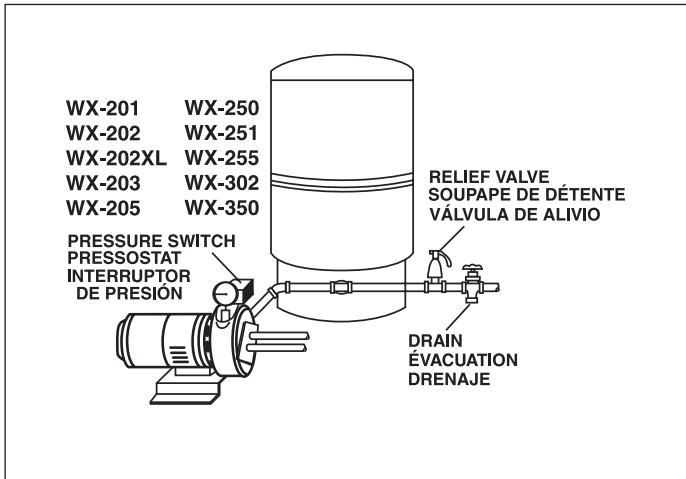
WX-100 Series WELL-X-TROL with tank mounted at jet pump.
WELL-X-TROL série WX-100 avec réservoir monté sur pompe à jet.
WELL-X-TROL serie WX-100, con tanque montado en la bomba de chorro.



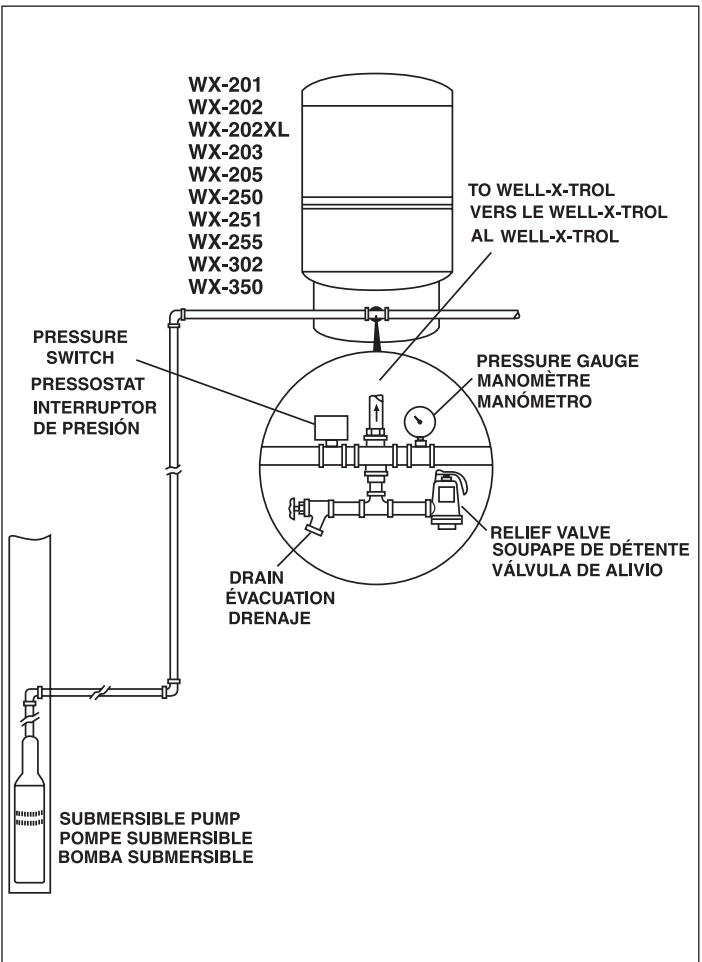
WX-103 or WX-200 with pump stand. WX-200 with pump stand mounting jet pump.
WX-103 ou WX-200 avec le support de pompe. WX-200 avec le support de pompe et le montage de pompe à jet.
WX-103 o WX-200 con base para bomba. WX-200 con base para bomba a chorro.



WX-201 through WX-350 WELL-X-TROL installed on-line with jet pump.
WELL-X-TROL WX-201 à WX-350, installé en ligne avec la pompe à jet.
WELL-X-TROL WX-201 a WX-350 instalado en línea con una bomba de chorro



WX-201 through WX-350 WELL-X-TROL installed on-line using submersible pump.
WELL-X-TROL WX-201 à WX-350, installé en ligne avec pompe submersible.
WELL-X-TROL WX-201 a WX-350, instalado en línea usando una bomba sumergible.



WX-201 through WX-350 WELL-X-TROL use pump stand.
WELL-X-TROL WX-201 à WX-350 utilisant le support de pompe.
WELL-X-TROL WX-201 a WX-350, usando base para bomba.

