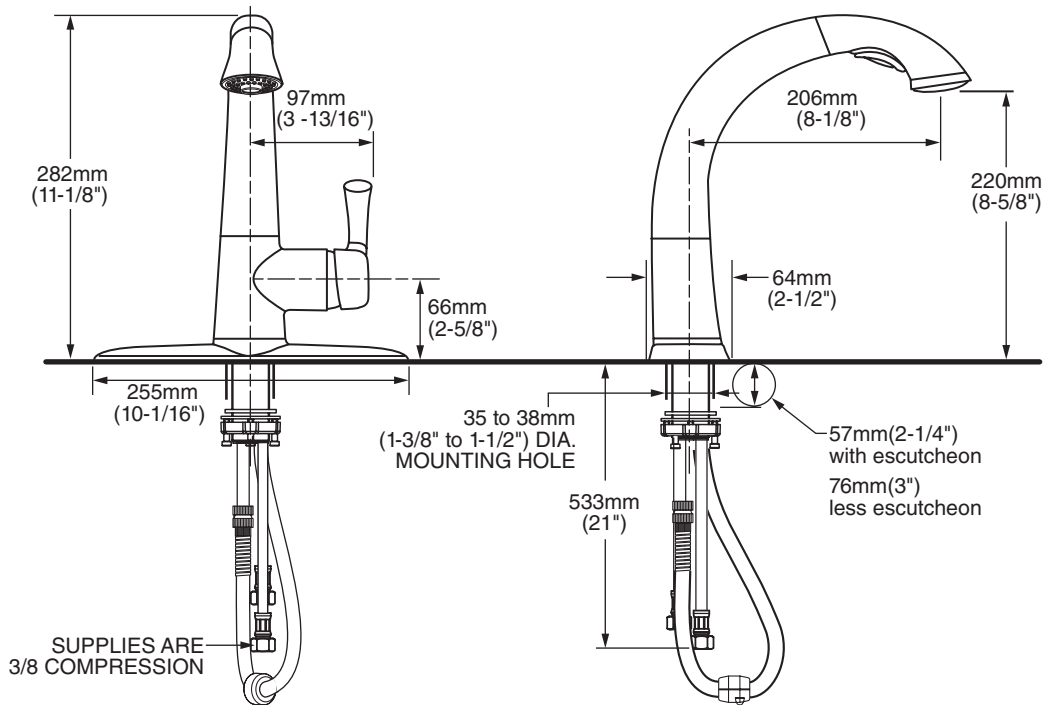




MODEL NUMBER:

- 4433.150 Kitchen Faucet with Pull-Out Spray
- 4433.150.F15 Kitchen Faucet with Pull-Out Spray



GENERAL DESCRIPTION:

Metal handle and escutcheon plate. Metal Swivel spout (130° rotation) with pull-out spray. Adjustable spray pattern with toggle button activation. Washerless 40mm ceramic disc valve cartridge. Braided flexible Stainless Steel supply hoses with 3/8" compression connections. Metal mounting shank with brass fixation ring. Complete with two integral check valves. 2.2 gpm/8.3 L/min. maximum flow rate, 1.5 gpm/5.7 L/min, maximum flow rate for F15 models. Fitting can be mounted with or without escutcheon plate (escutcheon size 10-1/16"L x 2-1/2"W).

PRODUCT FEATURES:

Ceramic Disc Valve Cartridge: Assures smooth, precise valve control and a lifetime of drip-free, maintenance-free performance.

Memory Position Valving: Allows user to turn valve on and off at preferred temperature setting without readjusting handle position each time.

Lead Free: Faucet contains ≤ 0.25% total lead content by weighted average.

Integral Check Valves: Prevents back flow.

Toggle Spray Function: Switches water flow from a stream to a spray.

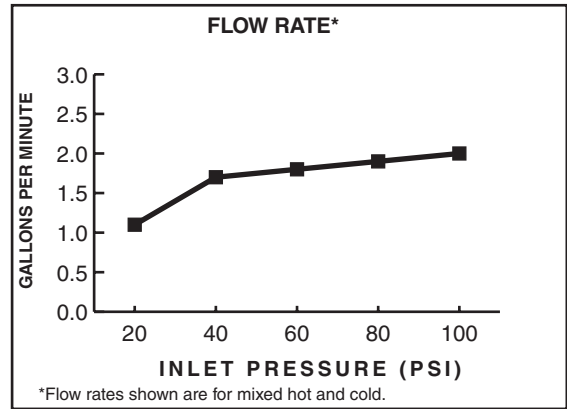
SUGGESTED SPECIFICATION:

Single control kitchen pull-out faucet shall feature a metal swivel spout with pull-out spray, metal escutcheon plate and handle. Shall also feature washerless ceramic disc valve cartridge and flexible Stainless Steel supply hoses. Faucet shall be American Standard Model # 4433.150.____.____.

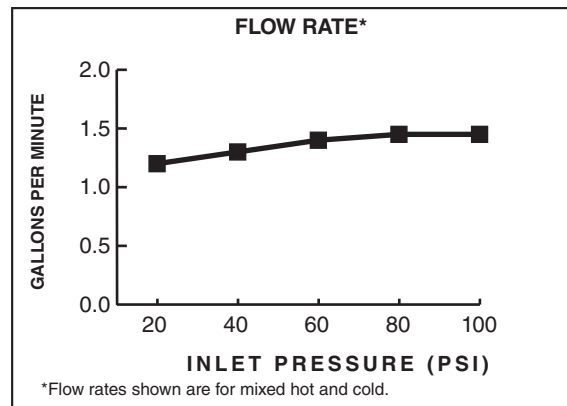
CODES AND STANDARDS

These products meet or exceed the following codes and standards:

- ANSI A117.1
- ASME A112.18.1
- NSF 61/Section 9 & Annex G
- CSA B125



2.2 gpm/8.3 L/min. FLOW RATE



1.5 gpm/5.7 L/min. FLOW RATE

Product Number	Description	Finish Options		
		Polished Chrome	Stainless Steel (PVD)	Oil Rubbed Bronze
4433.150	Pull-Out Kitchen Faucet - 2.2 gpm/8.3 L/min. maximum flow rate	002	075	224
4433.150.F15	Pull-Out Kitchen Faucet - 1.5 gpm/5.7 L/min. maximum flow rate			

 Meets the American Disabilities Act Guidelines and **ANSI A117.1** Requirements for the physically challenged.