

MADRID COLLECTION

Double Shower Door Handle

Available In: 8" / 12" / 18" / 24"

Item #: 2627808/7812/7818/7824



FEATURES

- Modern styling
- Durable finishes
- Concealed installation
- Brass Construction

WARRANTY

- Lifetime limited (Residential use)
- One Year (Commercial use)

FINISHES STOCKED IN

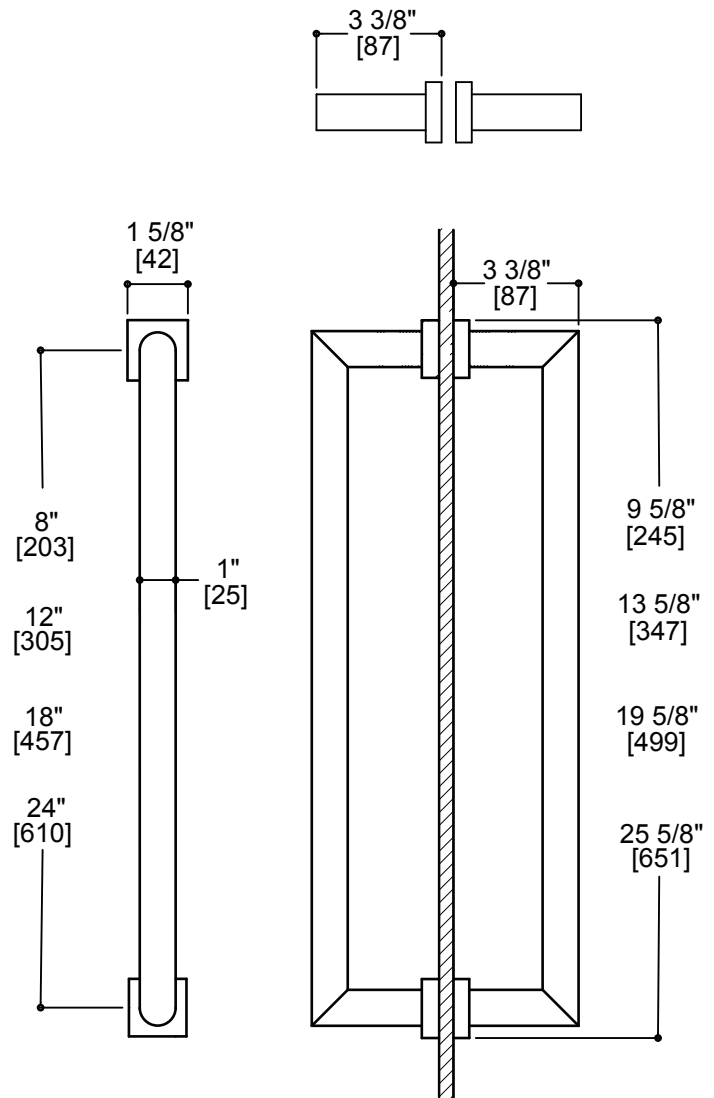
- Polished Chrome (99)
- Brushed Nickel (81)
- Polished Nickel (68)

SPECIAL FINISHES AVAILABLE

- Antique Nickel (91)
- Polished Gold (12)
- Brushed Gold (22)
- Brushed Brass (78)
- Black Nickel (40)
- Antique Copper (55)
- Polished Brass (72)
- Antique Brass (69)
- Brushed Chrome (85)
- Oil Rubbed Bronze (21)
- Brushed Bronze (25)
- Gunmetal (43)
- Glossy White (62)
- Unlacquered brass (75)
- Matte White (26)
- New World Bronze (80)
- Matte Black (48)

MOUNTING HARDWARE

- Clear gaskets included



GLASS INFO

- Glass Hole Diameter : 3/8" / 10mm
- Glass Hole C - C Distance 6" : 6" / 152mm
- Glass Hole C - C Distance 8" : 8" / 203mm
- Glass Hole C - C Distance 12" : 12" / 305mm
- Glass Hole C - C Distance 18" : 18" / 457mm
- Glass Hole C - C Distance 24" : 24" / 610mm
- Glass Hole C - C Distance 30" : 30" / 762mm
- Glass Thickness : 10-12mm

*Can be used with extension kit for thicker doors.

Note: Dimensions and specifications are subject to change without notice.