

**GRECO
72" COPPER DOUBLE
SLIPPER TUB**

Cat. No.
COTDSN72



L: 72"
W: 32-1/8"
H: 29"

Rim: 2-3/8" W
Overflow hole: 1-5/8"
Water depth: 15-1/4" to overflow
Overflow: 20" from floor

The following is recommended for COTDS tubs without faucet holes:

- Free standing faucet: **Part# 4602**
- Free standing bath supplies: **Part# 4502**
- Leg tub drain: **Part# 5599E**

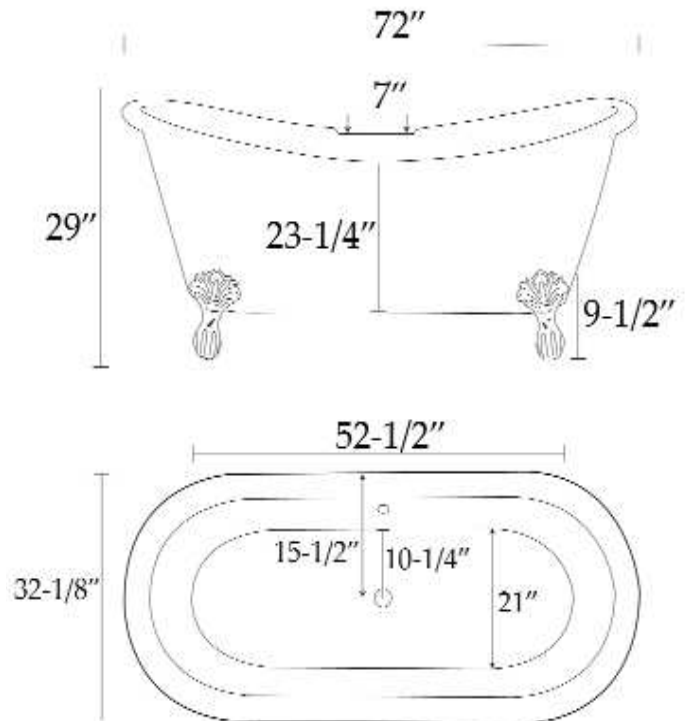
Gallon Capacity:	70
Shipping Weight:	395 lbs.
Empty Weight:	170 lbs.
Filled Weight:	755 lbs.

Features:

- ▶ Constructed of 16 gauge copper
(Copper is a living finish and will patina over time)
- ▶ Available in 2 finishes
- ▶ Hand polished
- ▶ No faucet holes
- ▶ With overflow
- ▶ Solid copper feet are attached before shipping
- ▶ Drain is in the center of the tub
- ▶ Hand-crafted construction makes each tub unique

Tub Finishes:

- AC** Antique Copper
- CN** Hammered Antique Copper/Nickel



Dimensions and specifications subject to change without notice.