



**Parisian® 4**  
**71.25" x 34.75" x 23"**

**GENERAL SPECIFICATIONS:**

**Material** - Acrylic

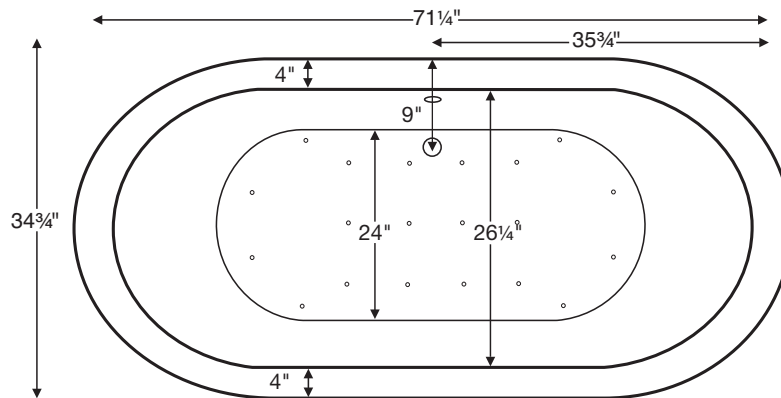
**Installation** - Freestanding

*Not recommended as a tub / shower combination.*

**Soaker Weight** - 280 lbs / 127 kg

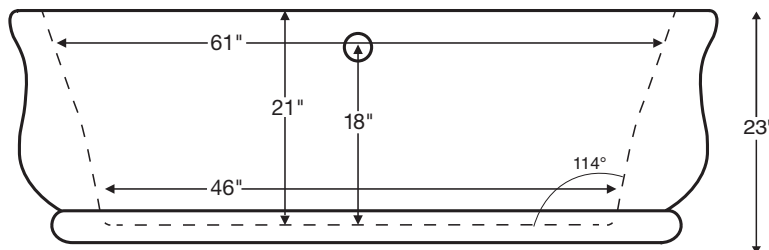
**Maximum Fill** - 90 gal to overflow

*NOTE: Filling this tub to the maximum may require an above average size or dedicated water heater.*



Requires use of a wall-mounted or freestanding tub filler.  
The overflow assembly is concealed between the walls of the tub,  
eliminating the need for an exposed drain kit.

Shown with Air Massage Package.



**IMPORTANT:**

Must have access to the drain  
from underneath the tub for  
installation and servicing.

**ELECTRICAL COMPONENTS & SPECIFICATIONS**

Required Electrical Service - 110 Volt

Hydrotherapy Package	Components Included	GFCI
<b>Air Massage</b>	heated blower	1-15 amp
<b>Air Massage Elite</b>	heated blower, chromatherapy	1-15 amp

*For electrical requirements of tub options, see page C-2.*

CSA Certified C/US; ANSI Z124.1 for plastic tubs and ANSI 112.19.7 for whirlpool components.

**IMPORTANT ORDERING & INSTALLATION INFORMATION:**

- Before ordering or installing, please consider future access to equipment.
- When ordering an air bath, the air blower must be remote mounted.
- If tub is equipped with Chromatherapy, the control box must be remote mounted.
- There is no access panel installed on this tub. Must have access to drain from underneath the tub for installation and servicing.
- To facilitate the installation process, the overflow assembly is pre-installed at the factory. Toe-tap drain kit is included for on-site installation.
- Specifications and configurations are subject to change without notice.
- Measurements are  $\pm 1/2"$  and are subject to change without notice.
- Measurements herein supersede all others published prior to publication date shown below.

See the "Designer Collection Tubs Installation & Operation Manual" included with tub delivery or go to [mtibaths.com/support/installation\\_operation/manuals](http://mtibaths.com/support/installation_operation/manuals) for all the information necessary to install and operate the tub.




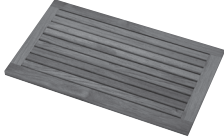
MTI's Customer Service Department is available Monday-Friday 8am-6pm EST at 800-783-8827 or [customerservice@mtibaths.com](mailto:customerservice@mtibaths.com) to answer any questions pertaining to ordering or installation.



Hydrotherapy Packages	Package Contents	Part #	MSRP
<b>Soaker</b>	Soaking bath - no jets; includes a pre-leveled foam base and a toe-tap drain kit in chrome	<b>S202</b>	<b>\$8,330</b>
<b>Air Bath Packages</b>	<i>Air Massage</i> 20 air jets, heated air blower, pre-leveled foam base; includes a toe-tap drain kit in chrome <i>Blower and / or control boxes must be remote located</i>	<b>AST202</b>	<b>\$11,030</b>
	<i>Air Massage Elite</i> 30 air jets, heated air blower, Chromatherapy LED lighting, Spa Mode, pre-leveled foam base; includes a toe-tap drain kit in chrome <i>Blower and / or control boxes must be remote located</i>	<b>AE202</b>	<b>\$12,690</b>

**Lead Time - 20 business days (any configuration).**

Premium Options	<i>NOTE: part codes for all options listed in parenthesis.</i>
<b>Radiance</b> - integrated tub shell heating system (RAD100) <b>\$1,050</b> see p. C-5	
<b>Chromatherapy</b> - underwater LED lighting (LE) <b>\$590</b> see p. C-6	
Standard Options	
<b>Color:</b> White (CWH) <i>Note: This tub is only available in white.</i>	
<b>Textured, Slip-Resistant Bottom</b> - meets ASTM F462-1994 (TXBTM) <b>\$75</b>	
Accessories & Hardware	
<b>Floor-Mounted High-Flow Tub Filler</b> - two designs available - see p. C-16 Contemporary - Chrome (FILLC) <b>\$1,995</b> ; Brushed Nickel (FILLBN) <b>\$2,155</b> Traditional - Chrome (FILLTC) <b>\$1,995</b> ; Brushed Nickel (FILLTBN) <b>\$2,155</b>	
<b>Toe Tap Drain Kit with Round Overflow</b> - Chrome (included with tub) <i>Other finishes available for an upcharge:</i> Brushed Nickel (WOTTBNU) <b>\$25</b> Polished Nickel (WOTTPNU) <b>\$25</b> <i>This tub includes a complete drain kit in chrome finish. Above pricing represents finish upcharge ONLY. Contact MTI for pricing on drain kits sold separately.</i>	
<b>Pillows</b> - from <b>\$120</b> see p. C-14	
<b>Teak Bath Mat</b> (TK-MAT3018) <b>\$410</b> custom sizes also available - see p. C-15	

Options Information
<p><b>Radiance</b> - Integrated tub surface heating system designed to warm the interior surface of the bathing well. Utilizes electric heating grids for 2 zones; either both backrests or a single backrest and one seated area of the tub floor. See page C-5 for detailed specifications.</p> 
<p><b>Chromatherapy</b> - Underwater lighting provided by two digitally controlled LED lights. A control button allows a selection of constant colors or preset programs to achieve the desired lighting effects &amp; utilize these chromatic energy sources. See page C-6 for detailed specifications.</p> 
<p><b>Floor-Mounted High-Flow Tub Filler</b> - Choose from contemporary or traditional design to complement most manufacturers' lavatory &amp; shower faucets. Fill rate of 15 gallons per minute at 45 psi. Includes hand-held shower with independent valve. See page C-16 for detailed specifications.</p> 
<p><b>Teak Bath Mat</b> - Provides a slip-resistant surface to enter and exit the bath. Smooth, durable teak combines beauty with practicality. See page C-15 for detailed specifications.</p> 



**Inside view of tub.**



**Front view of tub.**