

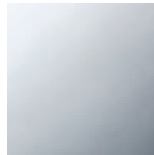
Shower - IMO

Hand shower set - polished chrome

Article number: 26 403 979-00 0010

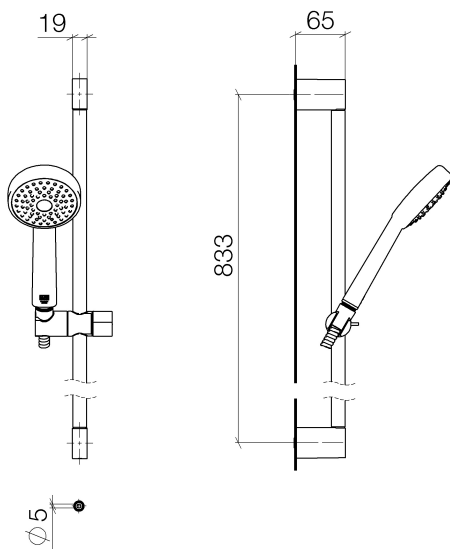


- 3 individual sprays (standard, soft, massage) + 2 combinations (standard+soft, soft+massage)
- Descaling system
- Ø 3-7/8"
- Center to center 32-3/4"
- Metal shower hose 68-7/8" with anti-twist device
- Shower hose connection 3/8"
- Slide bar
- Water flow rate limited to max. 1.8 gpm



polished chrome

Dimensional drawing



All dimensions in mm / inch = mm x 0,0394

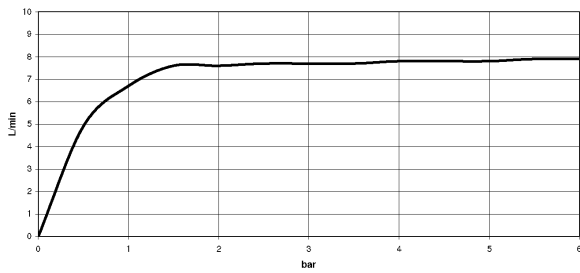


Shower - IMO

Hand shower set - polished chrome

Article number: 26 403 979-00 0010

Flow rate chart





Shower - IMO

Hand shower set - polished chrome

Article number: 26 403 979-00 0010

Other surface finishes



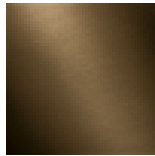
platinum matte

26 403 979-06 0010



platinum

26 403 979-08 0010



Dark Brass matte

26 403 979-16



Dark Bronze matte

26 403 979-17



black matte

26 403 979-33 0010



Dark Platinum matte

26 403 979-99

More custom finish options are available via special production (xTra Service). Please see our finish matrix for availability and pricing or contact a Dornbracht representative.



Shower - IMO

Hand shower set - polished chrome

Article number: 26 403 979-00 0010

Recommended article



35 080 970-90 0010

Rough-in adapter -



28 450 625-00

Wall elbow - polished chrome



28 450 720-00

Wall elbow - polished chrome



28 450 845-00

Wall elbow - polished chrome



28 450 980-00

Wall elbow - polished chrome