



Certified to comply with ANSI A112.18.1M

QUINCE™
SINGLE CONTROL KITCHEN
PULL-OUT FAUCET

*Thank you for selecting American-Standard...
the benchmark of fine quality for over 100 years.*

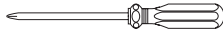
*To ensure that your installation proceeds smoothly—
please read these instructions carefully before you begin.*

M965245 REV. 1.2

RECOMMENDED TOOLS



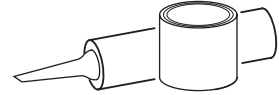
Regular Screwdriver



Phillips Screwdriver



Adjustable Wrench



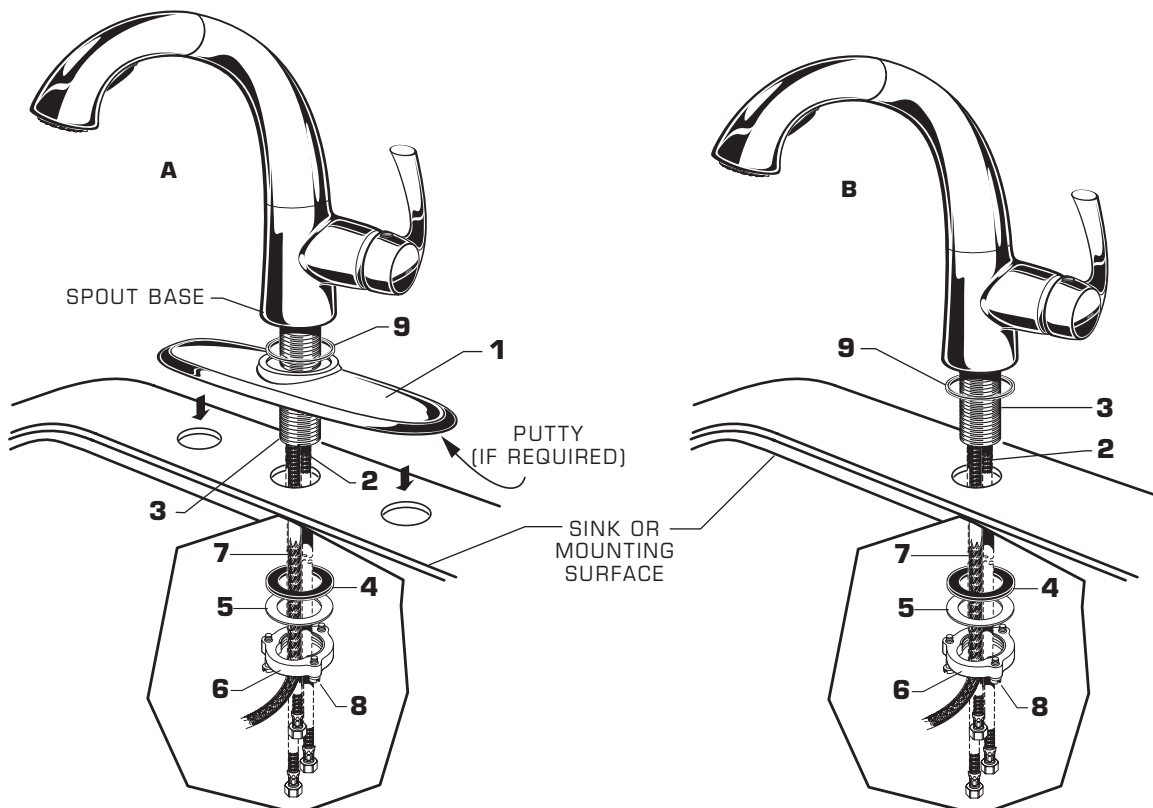
Plumbers' Putty or Caulking

1 INSTALL FAUCET WITH OR WITHOUT DECK ESCUTCHEON

CAUTION

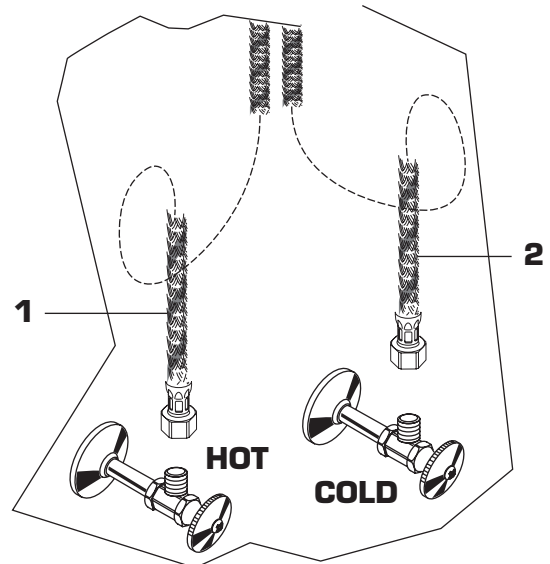
Turn off water at
main supply.

- **(A) Installation with ESCUTCHEON (1).** Apply a bead of putty to bottom edge of ESCUTCHEON with PUTTY PLATE (1). Make certain the SEAL (9) is properly seated in recess of faucet body. Insert SUPPLY HOSES (2), SPRAY HOSE (7) and SHANK (3) through hole of ESCUTCHEON with PUTTY PLATE (1) and mounting surface. Follow mounting instructions below to secure faucet to mounting surface.
- **(B) Installation less ESCUTCHEON (1).** Discard ESCUTCHEON with PUTTY PLATE (1). Make certain the SEAL (9) is properly seated in recess of faucet body. Insert supply HOSES (2), SPRAY HOSE (7) and SHANK (3) through mounting hole and seat SPOUT BASE onto sink or mounting surface. **Do not use putty.**
- Insert HOSES (2) through RUBBER WASHER (4), BRASS WASHER (5), and threaded LOCKNUT (6).
- Assemble RUBBER WASHER (4), BRASS WASHER (5), and threaded LOCKNUT (6) onto SHANK (3) from underside of sink or mounting surface. Hand tighten LOCKNUT (6).
- Use a screwdriver to tighten SCREWS (8) on LOCKNUT (6). Work your way around LOCKNUT (6), tightening the screws slightly each time until all are snug to ensure even pressure.



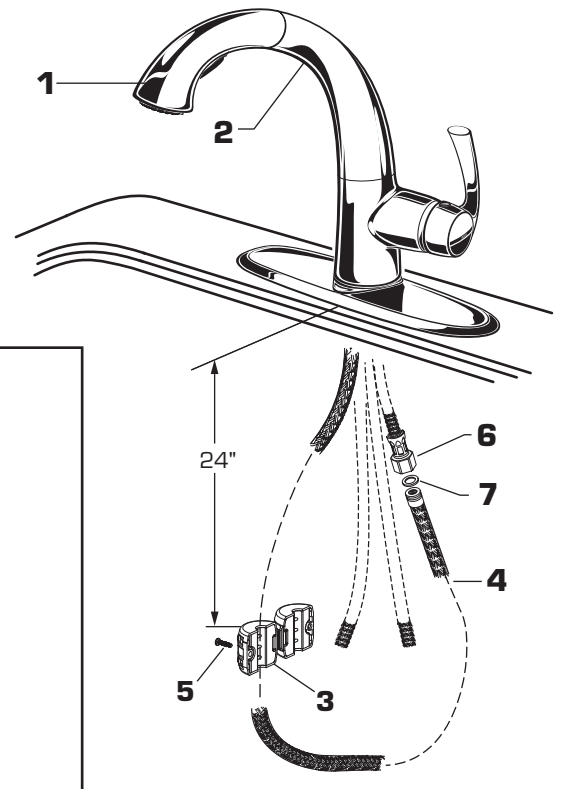
2 MAKE WATER SUPPLY CONNECTIONS

- Turn off hot and cold water supplies before beginning.
- Connect FLEXIBLE SUPPLIES (1, 2) directly to wall supplies. Connection on fitting supplies are 3/8" compression. Connect left supply (Marked with a Red Stripe) to Hot and right supply (Marked with Blue Stripe) to Cold wall supply. Use adjustable wrench to tighten connections. Do not over tighten.
- Faucet supplies are 21" long from faucet base.
- **Note:** If additional supply length is required, installer must purchase additional parts separately.
- **Important:** If SUPPLY HOSES (1, 2) are too long, loop as illustrated to avoid kinking.



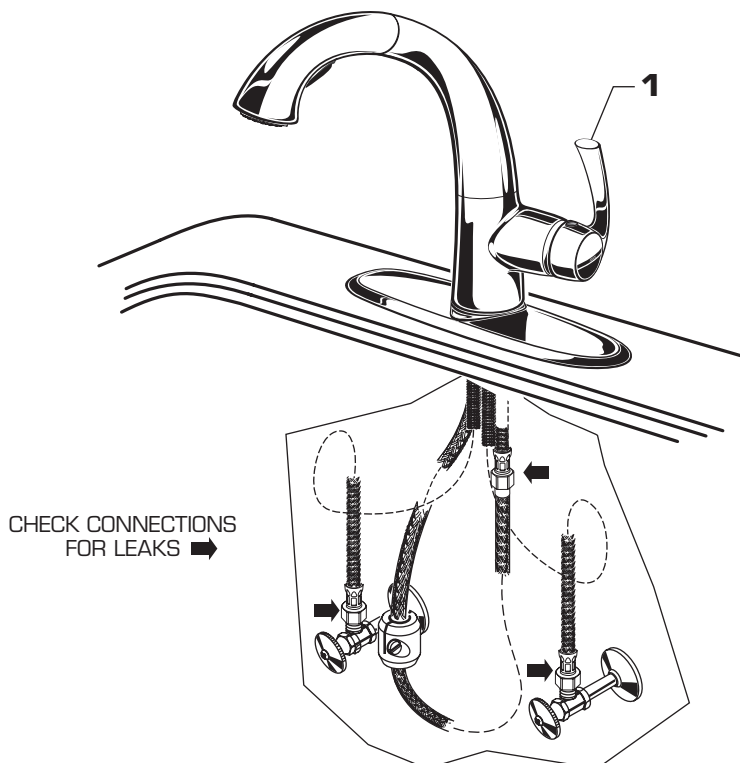
3 CONNECT SPRAY HOSE AND INSTALL WEIGHTS

- With PULL-OUT SPRAY (1) seated in FAUCET (2), install WEIGHTS (3) onto HOSE (4) using SCREW (5). Locate the WEIGHT (3) two feet (2') from the underside of the sink deck. Tighten SCREW (5) firmly.
- Make sure SEAL WASHER (7) is installed in COUPLING NUT (6). Connect threaded end of HOSE (4) to SPRAY HOSE COUPLING NUT (6) from fitting. Use wrench to tighten.



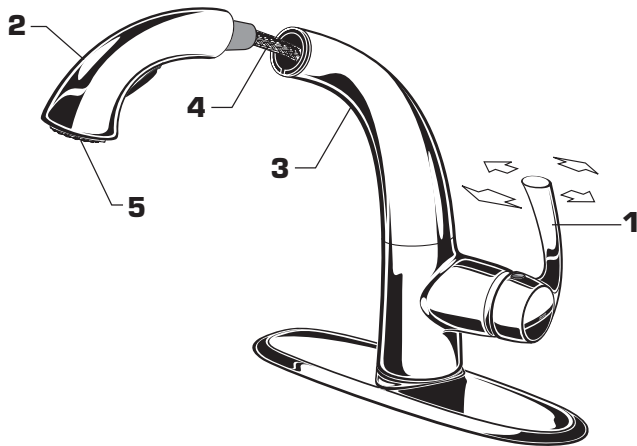
4 CHECK CONNECTIONS FOR LEAKS.

- Move HANDLE (1) into the "off" position.
- Turn on water supplies and check connections for leaks. ➡



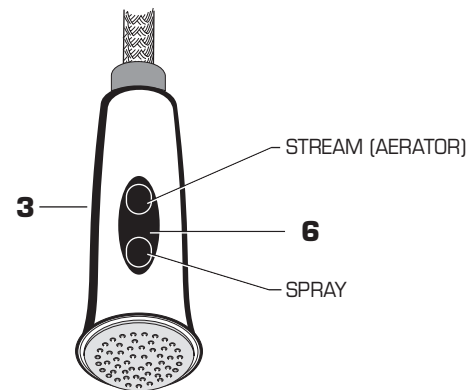
5 TEST INSTALLED FAUCET

- Move HANDLE (1) into "off" position.
- With HANDLE (1) in "off" position, pull HAND SPRAY (2) from SPOUT (3). SPRAY HOSE (4) should pull approximately 2 feet and direct open SPRAY END (5) into sink.
- Operate handle up and down, in COLD and HOT positions, to flush water lines thoroughly.
- Check HAND SPRAY (2) operation:



SPRAY OPERATION

- With FAUCET on, press TOGGLE BUTTON (6) on SPRAY (3) to switch from stream to spray.



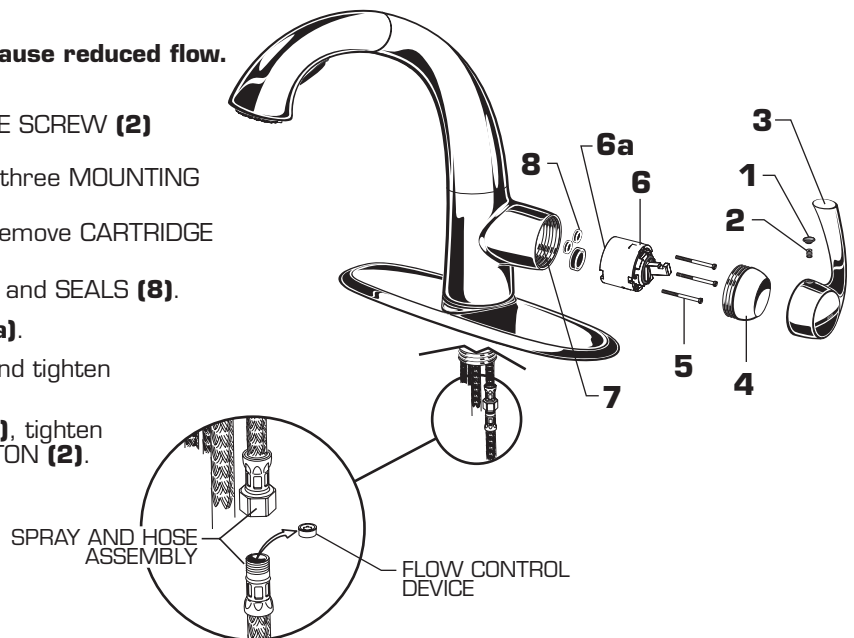
6 SERVICE

■ If Faucet Drips Proceed As Follows:

- Turn VALVE in OFF position.
- If faucet drips, operate HANDLE several times from OFF to ON position. Do not apply excessive force.
- FLOW CONTROL DEVICE may accumulate dirt. To remove the FLOW CONTROL DEVICE, unthread SPRAY AND HOSE ASSEMBLY and rinse clean FLOW CONTROL DEVICE.

■ Clogged CARTRIDGE outlets or inlets may cause reduced flow. To clean, first turn off water supply then:

- Remove INDEX BUTTON (1), loosen HANDLE SCREW (2) and remove HANDLE (3).
- Unthread ESCUTCHEON CAP (4). Unthread three MOUNTING SCREWS (5).
- Lift CARTRIDGE (6) off MANIFOLD (7) and remove CARTRIDGE SEALS (8).
- Clean MANIFOLD (7), CARTRIDGE (6) ports and SEALS (8).
- Place SEALS (8) into CARTRIDGE PORTS (6a).
- Place CARTRIDGE (6) onto MANIFOLD (7) and tighten MOUNTING SCREWS (5) alternately.
- Replace ESCUTCHEON CAP (4), HANDLE (3), tighten HANDLE SCREW (2) and install INDEX BUTTON (1).
- Test fitting.



7 CARE:

DO: SIMPLY RINSE THE PRODUCT CLEAN WITH CLEAR WATER. DRY WITH A SOFT COTTON FLANNEL CLOTH.
DO NOT: DO NOT CLEAN THE PRODUCT WITH SOAPS, ACID, POLISH, ABRASIVES, HARSH CLEANERS, OR A CLOTH WITH A COARSE SURFACE.

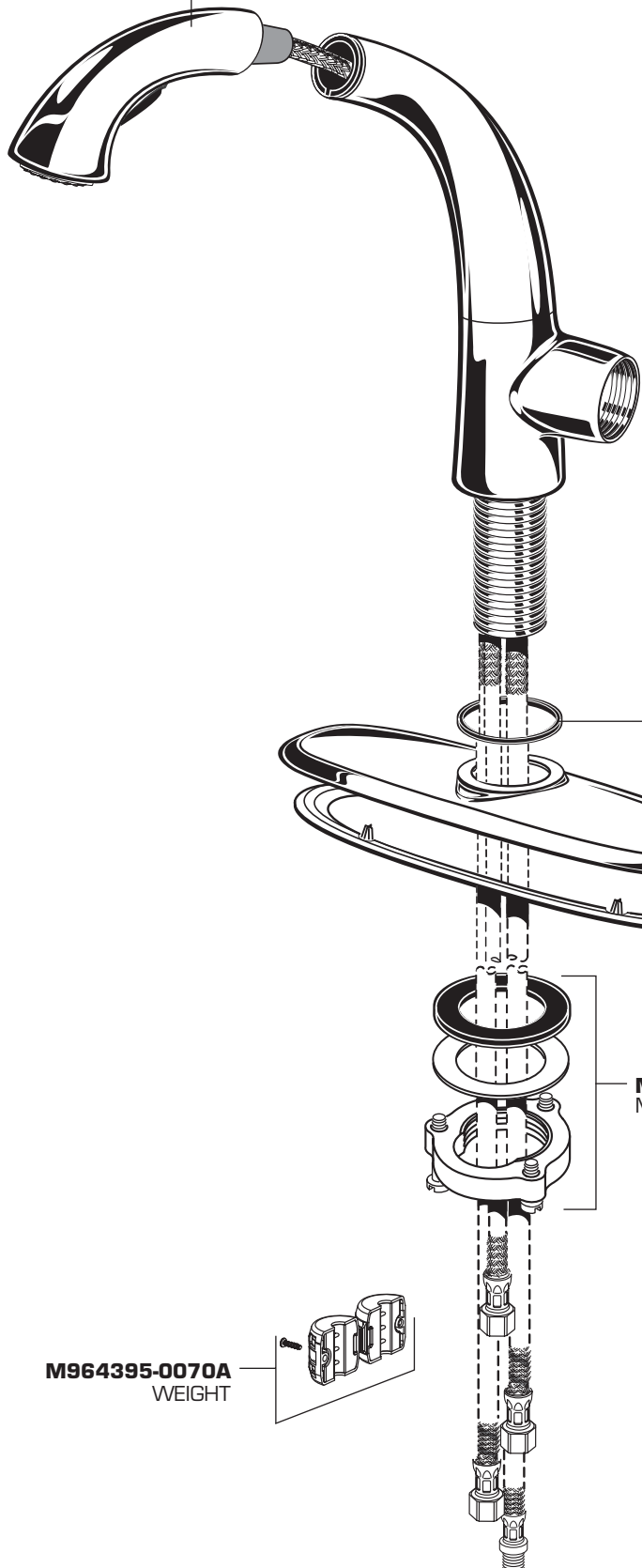
American Standard

**QUINCE™
SINGLE CONTROL
KITCHEN
PULL-OUT FAUCET**

MODEL NUMBER

**4433.150
4433.150F15**

M952244-YYY220A (2.2 GPM)
SPRAY WITH HOSE
M952244-YYY150A (1.5 GPM)
SPRAY WITH HOSE



A951470-0070A
CARTRIDGE

M964176-YYY0A
HANDLE KIT

M907306-YYY0A
ESCUTCHEON CAP

M918506-0070A
CARTRIDGE SCREWS

M962294-0070A
BUTTON AND
SCREW KIT

A911836-0070A
SEAL

M962806-YYY0A
ESCUTCHEON AND
PUTTY PLATE

M962146-0070A
MOUNTING KIT

M964395-0070A
WEIGHT

Replace the YYY with
Appropriate finish code

CHROME	002
STAINLESS STEEL	075
OIL RUBBED BRONZE	224



HOT LINE FOR HELP

For toll-free information and answers to your questions, call:
1-800-442-1902
Weekdays 8:00 a.m. to 6:00 p.m. EST
IN CANADA 1-800-387-0369 (TORONTO 1-905-306-1093)
Weekdays 8:00 a.m. to 7:00 p.m. EST
IN MEXICO 01-800-839-1200

Product names listed herein are trademarks of American Standard Inc.
© AS America, Inc. 2012