

ESSENCIA 6838

68" x 38" x 26" (FREESTANDING)


Essencia evokes essence—the elemental aspects of the inner being.

PRODUCT NO.


MODEL	TMU	TUB
Freestanding	BESPRF00T-XX	BESPRF00N-XX

THERMOMASSEUR (TMU)	
Hydro-thermo massage • Air jet system	\$
Jets	59
1 heated backrest & headrest	Included
MiaPlus® Control*	Included
BU-Touch Control Application NEW	Included
Geysair®	Included
AromaCloud®*** BAROMAC	\$
Illuzio Chromatherapy BCHRO6	\$

TUB	
Soaker	\$
AromaCloud®*** BAROMAC	\$
Illuzio Chromatherapy BCHRO6	\$
WarmTouchShell® BWTS	\$
DOT control	Included with therapy

FEATURES			
Installation type		Freestanding	
No. of bathers	1	Inverted V	1
US gallons	67	Armrests	2
Imp. gallons	56	Grab bars (color match)	2
Raised seats	1	Footrest	1
WASTE & OVERFLOW 16" x 35" BOVER16I-XX			
White 01 , Chrome 07 , Brushed Nickel 09 , Polished Nickel 10 , Oil-rubbed Bronze 11		Installed & Included	
STANDARD COLOR			
 White 01		Included	

OPTIONS (UPCHARGE APPLICABLE)

COLOR	
 Black / White 66	\$
FINISH	
UltraVelour Matte Finish (White only) BVEL	\$
CLEAR ACRYLIC GRAB BARS BGBG10-XX	
With Chrome 07 or Brushed Nickel 09 inserts	\$
INTEGRATED WASTE & OVERFLOW BOVERIN-XX	
White 01 , Chrome 07 , Brushed Nickel 09 , Polished Nickel 10	\$
Black Chrome 12 , Matte Black 19 , Satin Brass 18	\$
ISLAND TUB DRAIN™***	
Island Tub Drain™ BISLDD	\$
Cast Iron Island Tub Drain™ BISLDDCI	\$
IF REQUIRED BY CONSTRUCTION CODE OR INSTALLED WITH ITD	
Brass waste & overflow kit**** BDRCOB	\$
Brass waste kit**** BDRCB	\$
16" x 35" Cable driven brass waste & overflow kit BOVERBR-XX	\$



Don't forget to specify the **finish of the integrated waste & overflow**.
 * For TMU, control must be wall-mounted. Faucets must be freestanding or wall-mounted.
 ** The AromaCloud® is built into the deck (factory installed).
 *** An Island Tub Drain™ is required when there is **no access under the bath**. ITD is available only with brass waste & overflow kits **BDRCOB-XX, BDRCB-XX, BOVERBR-XX**.
 **** When ordered with integrated waste & overflow.

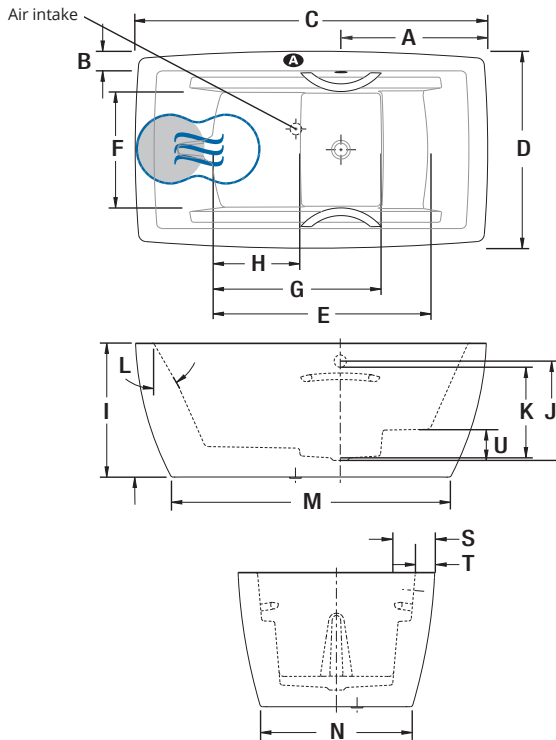
TOTAL PRICE	\$
--------------------	----



ESSENCIA 6838 (FREESTANDING)



INSTALLATION



LETTER	DESCRIPTION	MEASURE
A	Outside edge to center drain	28 1/4"
B	Deck width	3 3/4"
C	Total length	68"
D	Total width	38"
E	Bathing well length	42"
F	Bathing well width	22 3/8"
G	Bottom bathing well length	32 3/8"
H	Raised seat length	16 5/8"
I	Height from bottom of bath to top deck	26"
J	Height from drain to center of overflow	19 1/4"
K	Maximum water level	17 5/8"
L	Slope of backrest	30°
M	Base length	54 1/8"
N	Base width	29 1/4"
S	Minimum spout reach	7 3/4"
T	Outside edge to overflow	4"
U	Height of footrest	5 1/2"

- A** AromaCloud® position
- Indicates heated backrest (TMU)
- ⊕ Indicates WarmTouchShell® position (TUB)

TECHNICAL SPECIFICATIONS

Hot water supply required	Should be 70% of water capacity of TUB or greater.
Turbine	Access to the pump must be at least 18" x 22". Standard connection is 20 A, 120 V, 60 hz, dedicated line with a Ground-Fault Circuit Interrupter (GFCI). For any additional option, a second line is needed 15 A, 120 V, 60 hz, dedicated line with a GFCI. Air vent necessary: 2" x 4" minimum.
Others	<ul style="list-style-type: none"> - The GEYSAIR must always be accessible and connected to the hot water supply (provide access). - Faucet must be freestanding or wall-mounted. - The turbine must be remotely installed. - TMU: Control must be wall-mounted. - TUB: Dot controls are located on either sides of the AromaCloud®.

Our products must be installed by certified professionals only and according to our Owner's Manual as well as federal, provincial/state and local building codes and regulations (www.bainultra.com/documentation/documentation).

Cutting template	# 90000057
Approx. shipping weight	290 lbs
Turbine power	550 W
Air heater	600 W
WARRANTY	
Controls-LED-Geysair*	5 years
Bath & turbine*	20 years

* Some restrictions apply | www.bainultra.com/warranty



The specifications shown indicate the outer edge dimension and the inside bathing capacity dimension measured at air jets' height. The manufacturer accepts a 1/4" [0.64 cm] variance. There are variations on each product and specifications are subject to change as we improve upon our product as required. The dimensions needed for site preparation and structure building will differ. BainUltra® assumes no responsibility for preparatory work done prior to the product being on site.